



FINISHING EDGES AND LIGHTING OF DISPLAY WINDOWS

- the product for finishing and strengthening display window edges to a thickness up to 8 mm
- suitable for decorative 'framing' of the display window
- light is emitted at an angle - it does not cause glare
- top or bottom illumination
- easy installation - a double-sided tape not visible to customers
- when using on a thinner glass, consider additional wedging or adhesive tape
- maximum LED strip width: 10 mm



SIMILAR IN THE OFFER



TWIN8



MIKRO10



MIKRO-LINE12



FRAME14
BC/Q



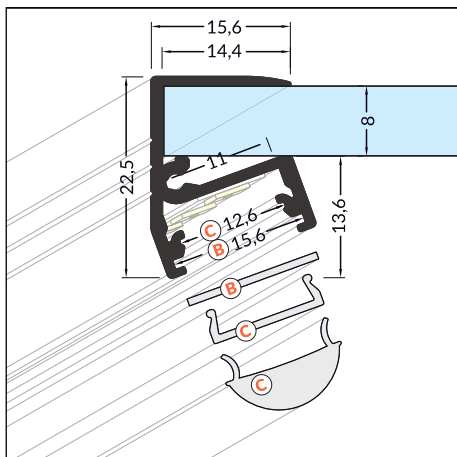
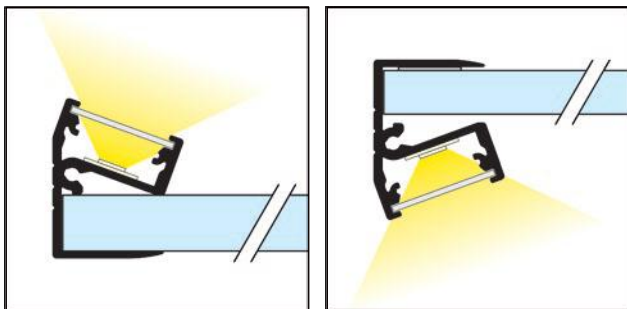
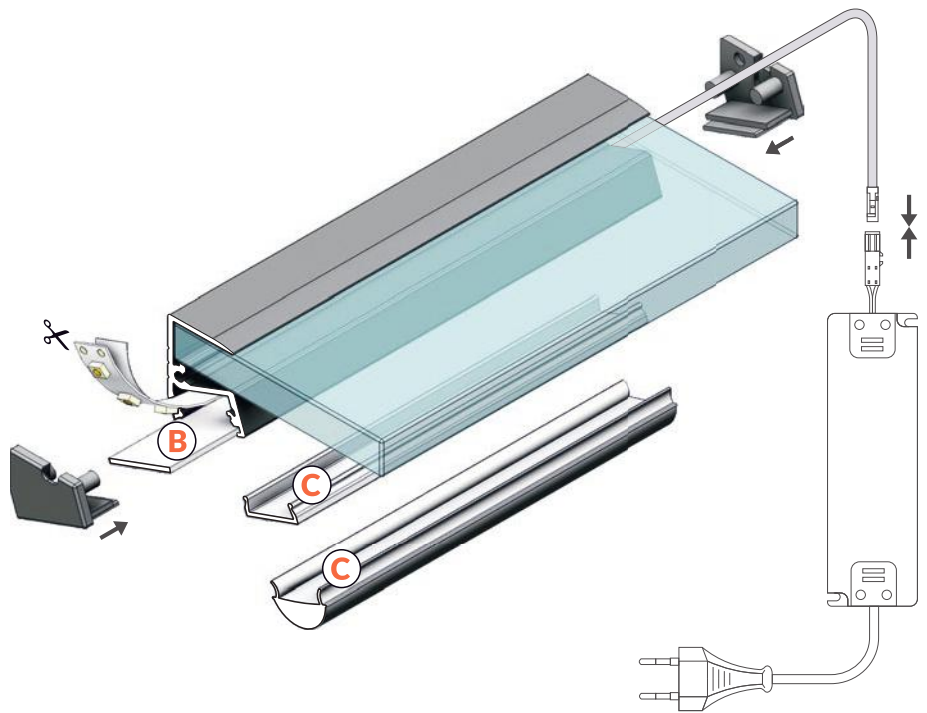
CABI12
E

EDGE10 BC

B B slide cover

C C click cover

C C lens cover



max 10 mm



glass application

INDEX = 1 pc, length 2000 mm
package = 10 pcs



white painted
A9020001



anodized
A9020020



black anodized
A9020021



raw aluminium
A9020000

Available lengths
1000 mm, 2000 mm, 3000 mm, 4000 mm

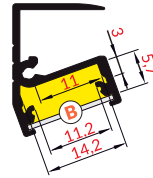
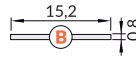


COVERS

B slide cover
 colours: transparent, frosted, white
 material: PC, PP, PP

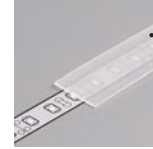


Note! Dimensions of the space to install LED source

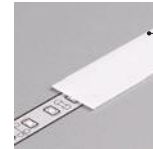


INDEX = 1 pc, length 2000 mm
 package = 10 pcs

B transparent
 76250016

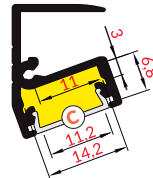
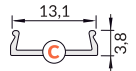


B frosted
 76250039



B white
 76250038

C click cover
 colours: transparent, white
 material: PMMA

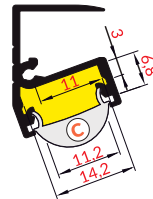
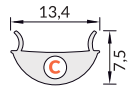


C transparent
 76330000



C white
 76330038

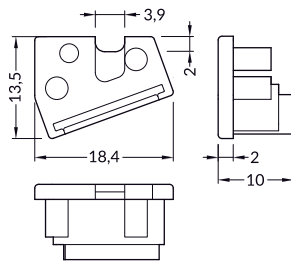
C lens click cover
 colour: transparent
 material: PC



C lens
 76300000

ENDINGS

EDGE10 ending with hole
 colours: white, silver, black, grey
 material: ABS

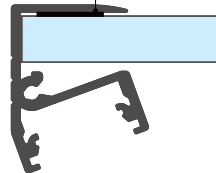


INDEX = 1 set,
 package of 10 sets = 20 pcs

-  white A9960001
-  silver A9960040
-  black A9960002
-  grey A9960022

THERMAL TAPE

thermal tape 45 x 10 mm
 self adhesive, double-sided



INDEX = 1 pc
 53820000



Depending on the installation method, EDGE10 profile may illuminate the display area from the top or from below.



Made in Poland



EU-registered industrial design