

Shelly PLUS 1



PERFECTED HOME AUTOMATION EXPERIENCE AND ENHANCED LIGHTING CONTROL!

Intended for mounting behind the wall switch console or power socket, **Shelly Plus 1** brings enhanced control and automatization of the lights, garage door, the irrigation system, bathroom fan, and pretty much every old electrical appliances. Thanks to its small dimensions, it can fit even in the tiniest spaces.

LIGHTS THAT FOLLOW YOUR SCHEDULE

Automate your lights with Shelly Plus 1 and use Shelly App to set automated scenes based on hour or sunset/sunrise or based on the hour you come back from work.

GARAGE DOOR CONTROL

Easily automate your garage door and control it no matter where you are! Shelly Plus 1 has operational voltages of 12V DC and 24-48V DC.



IRRIGATION SYSTEM THAT FOLLOWS THE WEATHER

Use scripting functionalities and Shelly Plus 1 to automate your irrigation system. That way it will water your garden only when it is sunny, skipping the rainy days.



Wi-Fi operated

Connect Shelly Plus 1 to your Wi-Fi network. No HUB required.



Bluetooth

Add devices quickly and easily via Bluetooth connection, using Shelly Cloud App.



Dry contacts

Use a wide range of output voltage levels. Supports low voltages.



Extremely fast processor

For immediate command execution and notification.



Enhanced safety

Over-temperature protection for prevention of failures.



Enhanced security

MQTT and WSS support, TLS certificate support and management for a broad range of use cases.



Improved API interface

Broad range of cloud connections and local integrations.



No hub required

Control directly without a hub through your smartphone with Shelly Cloud App.

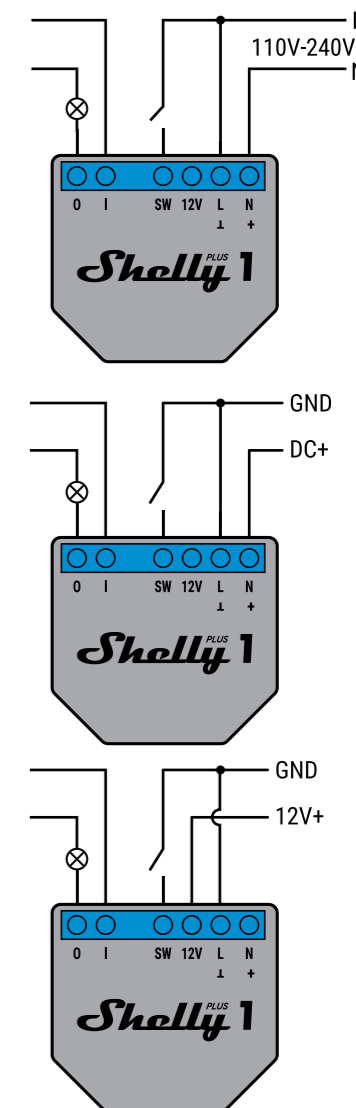


Highly compatible

Use with your preferred home automation platforms and voice assistants.

TECHNICAL SPECIFICATIONS

Power supply	<ul style="list-style-type: none"> • 110-240 VAC, 50/60 Hz • 24-48 VDC • 12 VDC
Max load	16 A
Complies with EU standards:	<ul style="list-style-type: none"> • RE Directive 2014/53/EU • LVD 2014/35/EU • EMC 2014/30/EU • RoHS2 2011/65/EU
Working temperature	-20°C ÷ 40°C
Max RF output power	13.45 dBm
Wireless/Wi-Fi Protocol	802.11 b/g/n (2.4 GHz)
Frequency:	2412 - 2472 MHz
Operational range (depending on local conditions)	<ul style="list-style-type: none"> • up to 50 m outdoors • up to 30 m indoors
Dimensions (HxWxL)	42x37x16 mm
Electrical consumption	< 1.2 W
Wire cross section range	0.5 ÷ 1.5 mm ²



Legend

Terminals:

- N: Neutral terminal
- L: Live (110-240 V) terminal
- O: Relay output terminal
- I: Relay input terminal
- SW: Switch terminal
- ⊕: DC positive terminal (24-48 V)
- ⊖: DC ground terminal
- 12 V: DC positive terminal (12 V stabilized)

Wires:

- N: Neutral wire
- L: Live (110-240 V) wire
- GND: DC ground wire
- DC+: DC positive (24-48 V) wire
- 12V+: DC positive (12 V) wire