

Shelly[®] RGBW2



POWER ON



Get a 110–220 VAC to 12-24 VDC

SHELLY RGBW2



Connect Shelly RGBW2 to the power transformer

LED STRIPS AND/OR BULBS



Support any 12V or 24 V White, RGB, RGBW led strips and 12/24 V led bulbs, with up to 288 W combined power



Wireless

No HUB required – Connect Shelly RGBW2 directly to your Wi-Fi at home.



Weekly Schedules

Choose a time and set your hidden lighting to turn on/off or change color.



Sunrise/Sunset Schedules

Shelly RGBW will automatically follow the sunrise and sunset and can control your lighting accordingly.



Color Effects

The 6 unique colorful effects will set the mood for your party or help you relax at home.



Control Remotely

Control the LED lighting at home, no matter where you are. Now you won't be leaving the lights on and your home won't welcome you in darkness.



Highly Compatible

Compatible with Android, iOS, Amazon Alexa and Google Assistant.



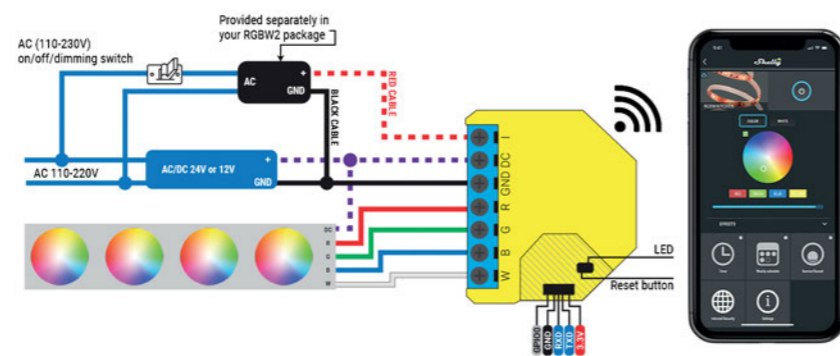
Support 12V or 24V

With Shelly RGBW2 you can use White, RGB, RGBW led strips and 12/24V led bulbs, with up to 288W combined power.



ON/OFF and Dimming Function

No more forgotten turned on appliances. The integrated countdown timer can automatically switch off your lights after an hour.



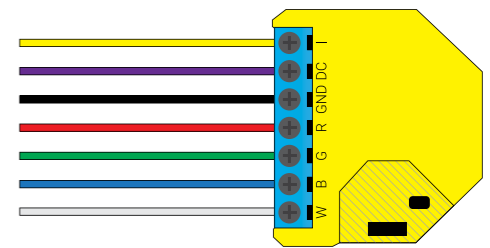
WI-FI RGBW LED CONTROLLER

Make your LED strips smart without additional investment. **Shelly RGBW2** connects like any LED controller. The main benefit is that you will be able to control your light directly from your mobile phone.

TECHNICAL SPECIFICATIONS

Interfaces	
Output interface	4 ways PWM: R/G/B/W 3 ways PWM: R/G/B 4 ways PWM: 4x White strips or 4x12/24 V LED bulbs
Interface	Reset button, AC 230 V switch input
AC switch	On/Off and Dimming function
Wi-Fi Parameters and Features	
Wi-Fi work mode	STA/AP/STA+AP/Smart Config
Security Specialty	None, WEP, WPA-PSK, WPA2-PSK (TKIP/AES)
Wi-Fi Standard	IEEE 802.11b/g/n
Wi-Fi Power	802.11b (CCK) 11 Mbps: 20+/-1.5 dBm
	802.11g (OFDM) 54 Mbps: 15.5+/-1.5 dBm
	802.11n(HT20@MCS7) 72.2 Mbps: 14.5+/-1.5 dBm
Frequency	2.4GHz-2.5GHz (2400M-2483.5M)
Antenna	Embedded
Power Input/output	
DC Power Input	12-24 V
DC Power Output 12V	144 W - combined power; 45 W - per channel
DC Power Output 24V	288 W - combined power; 90 W - per channel
Standby Current	≤50 mA
Work environment	
Working temperature	-20°C ÷ 40°C
Work humidity	5% to 95% (No condensing)
Wi-Fi Range	Indoor: 35m, Outdoor: 60m (depending on the environment)
Dimensions (HxWxL)	43x38x14 mm
Wire cross section range	0.5 ÷ 1.5 mm ²

- Focus on 8~36 W lamps such as droplight, ceiling lamp, table lamp, down lamp or other
- Support 5 ways PWM, applied to control 5 colors LED(R/G/B/CW/WW),
- Offers mobile phone App, supporting iOS and Android
- Configure network via the mobile App
- Supports local and remote control
- Supports Weekly Schedules
- Supports Sunrise/Sunset time based Schedules
- 6 color effects



Legend

- AC or DC on/off/dimming switch
- + 12/24 VDC
- - 12/24 VDC
- Red Light
- Green Light
- Blue Light
- White Light